
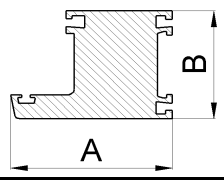

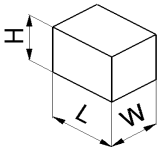


**RV-9050** TEKNİK VERİLER / *TECHNICAL INFORMATION*

<b>HAVA BASINCI</b> <i>AIR PRESSURE</i>	<b>6-8 Bar</b>
<b>VİDALAMA UCU BİLGİLERİ</b> <i>APEX DIMENSIONS</i> 	<b>L : 150 mm.</b>
<b>PROFİL KESİT ÖLÇÜLERİ</b> <i>PROFILE DIMENSIONS</i> 	<b>A min. : 40 mm</b>
	<b>A max. : 130 mm</b>
	<b>B max. : 130 mm</b>
<b>VİDA ÖLÇÜLERİ</b> <i>SCREW DIMENSIONS</i> 	<b>M4 x 16 mm</b>
	<b>M4 x 19 mm</b>
<b>MAKİNEİNİN AĞIRLIĞI</b> <i>MACHINE'S WEIGHT</i>	<b>138 kg.</b>
<b>MAKİNEİNİN ÖLÇÜLERİ</b> <i>MACHINE'S DIMENSIONS</i> 	<b>H: 1610 mm</b>
	<b>L: 1500+500+1500 mm</b>
	<b>W: 750 mm</b>